

# Three-Piece Maintenance Unit standard



**ewo**

3

Maintenance unit consisting of a filter, a pressure regulator and lubricator with a double nipple. Numerous variations are possible by combining with other pieces of equipment. Port sizes G 1/4 to G 1 1/2.

## Technical Data

	Compact	Large	Max
<b>Nominal rates of flow**</b>	5330 NI/min	6000 NI/min	6670 NI/min
<b>Min. flow rate***</b>	117 NI/min	167 NI/min	167 NI/min
<b>Max. operating pressure</b> plastic bowl / metal bowl		16 bar / 25 bar	
<b>Operating temperature</b> plastic bowl / metal bowl		0 °C to +50 °C / 0 °C to +90 °C	
<b>Effective bowl volume</b> filter bowl / lubricator bowl	80 cm <sup>3</sup> / 135 cm <sup>3</sup>	260 cm <sup>3</sup> / 360 cm <sup>3</sup>	260 cm <sup>3</sup> / 360 cm <sup>3</sup>
<b>Mounting position</b>		vertical	
<b>Direction of flow</b>		arrow	
<b>Nominal width</b>	DN20	DN20	DN25
<b>Nominal pressure (housing)</b>		PN25	
<b>Dependence upon supply pressure</b>		< 2%	
<b>Reversing control hysteresis</b>		~ 1 bar	
<b>Weight</b>	5250 g	7270 g	9950 g
<b>Material</b>			
Diaphragm/Seals		NBR	
Housing			
Filter/Lubricator	zinc alloy	aluminum	aluminum
Pressure Regulator	zinc alloy	brass	brass
Filter element		sintered bronze	
Plastic bowl		polycarbonate	

\*\* measured at p<sub>1</sub>=8bar, p<sub>2</sub>=6bar and Δp=1 bar

\*\*\* Oil delivery 10 droplets/min at 6bar

## Recommended oil

 see chapter 8

Oil containers made of plastic (polycarbonate) are attacked by oil additives, anti-frost or synthetic oils. We therefore recommend normal lubricating oils of approximately 22 to 32 cSt at 40 °C (in the case of striking tools up to 68 cSt). Metal containers should be used for other oils, especially for low-temperature oils. Also recommended is a metal lubricator adjusting cap.

## Three-Piece Maintenance Units

0,5 - 10bar

Size	G 3/4	G 1	G 1 1/4	G 1 1/2
Compact	415.38*	415.39	-	-
Large	334.48*	334.49	-	-
Max	-	-	334.410*	334.411

## Accessories

	Compact	Large	Max
<b>Bracket mounting</b> (2x to order)	406-17	281-26	281-26
<b>Connector</b> (double nipple)			
G 3/4	415-13	415-13	-
G 1	415-12	415-14	-
G 1 1/2	-	-	280-228

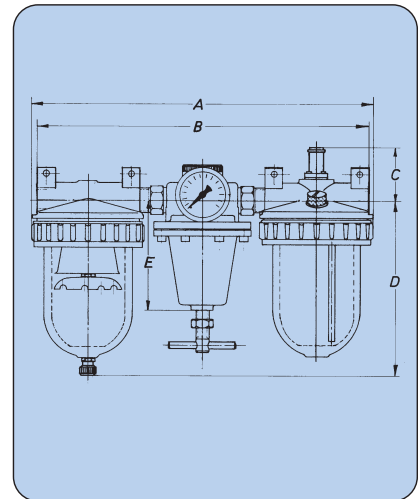
### special option - how to order:

415.38 x

  M - metal bowl  
  S - bowl protection

For example:

415.38 - but with bowl protection = 415.38S



## Dimensions [mm]

Size Port	Compact G 3/4*, G 1	Large G 3/4*, G 1	Max G 1 1/4*, G 1 1/2
A	290 290	426 426	426 426
B	315 290	382 370	382 370
C	69 69	58 58	58 58
D	176 176	206 206	206 206
E	90 90	130 130	130 130

Filter, see page 3

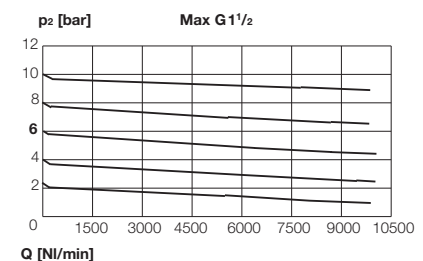
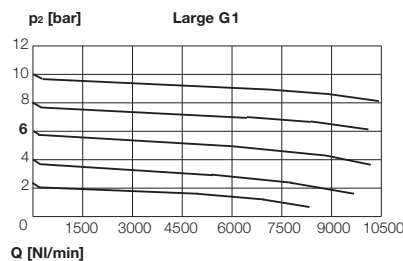
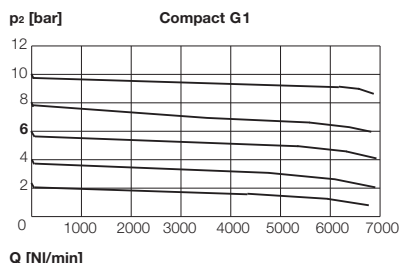
Pressure regulator, page 14

Lubricators, see page 23

Drain valves, see chapter 7

## Rates of flow

$$p_1 = p_2 + 2 \text{ bar}$$



\* Inlet and outlet reduced