

Fog-Lubricator

airvision modular



eWO

6

Compressed air lubricator in modular design add a fine oil fog to the compressed air, providing a constant and reliable lubrication of pneumatically regulated compressed air tools, valves and cylinders etc... Flanging is possible on both sides for adding other airvision equipment. Port sizes G^{1/8} to G1. Oil can be refilled under pressure. Needle valve for oil adjustment with high drop constancy over long periods of time.

Technical Data

	I	II	III
Nominal rates of flow**	1670 NI/min	3830 NI/min	4330 NI/min
Min. flow rate***	30 NI/min	33 NI/min	100 NI/min
Max. operating pressure		16 bar / 25 bar	
plastic bowl / metal bowl			
Operating temperature		0 °C to +50 °C****	
plastic bowl / metal bowl			
Effective bowl volume	25 cm ³	100 cm ³	120 cm ³
Mounting position		vertical	
Direction of flow		arrow	
Nominal width	DN6	DN15	DN20
Nominal pressure (housing)		PN25	
Weight	270g	590g	870g
Material			
Seals		NBR	
Housing	zinc alloy	zinc alloy	aluminum
Plastic bowl		polycarbonate	

** measured at p₁=6bar and Δp=1 bar

*** Oil delivery 10 droplets/min at 6bar

**** 80 °C with metal bowl and oiler dome out of metal

Recommended oil see chapter 8

Oil containers made of plastic (polycarbonate) are attacked by oil additives, anti-frost or synthetic oils. We therefore recommend normal lubricating oils of approx. 22 to 32cSt at 40 °C (in the case of striking tools up to 68cSt). Metal containers should be used for other oils, especially for low-temperature oils. Also recommended is a metal lubricator adjusting cap.

Fog-Lubricators with plastic bowl

Size	G ^{1/8}	G ^{1/4}	G ^{3/8}	G ^{1/2}	G ^{3/4}	G1
I	446.01*	446.02	-	-	-	-
II	-	-	446.05*	446.06	-	-
III	-	-	-	-	7446.08	7446.09

Fog-Lubricators with metal bowl

Size	G ^{1/8}	G ^{1/4}	G ^{3/8}	G ^{1/2}	G ^{3/4}	G1
I	446.11M*	446.12M	-	-	-	-
II	-	-	446.15M*	446.16M	-	-
III	-	-	-	-	7446.18M*	7446.19M

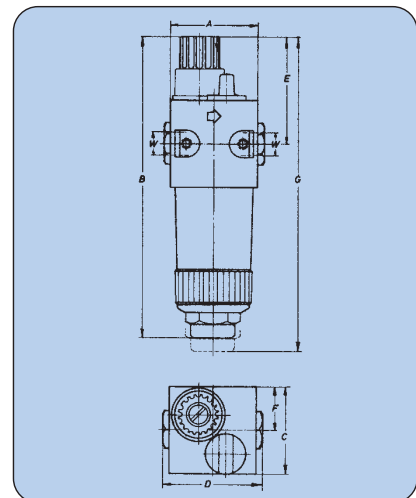
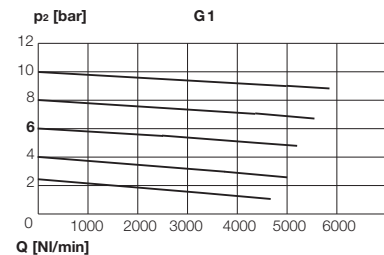
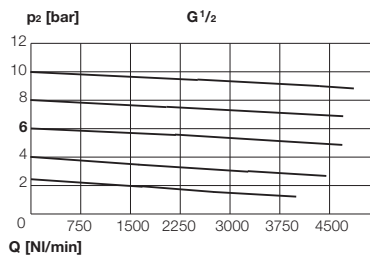
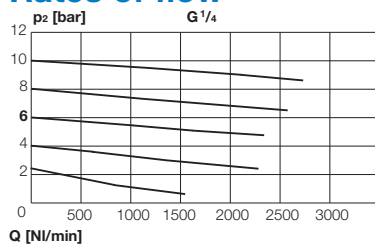
Accessories

	I	II	III
Bracket mounting	444-5	444-14	444-14
Lubricator adjusting cap metal	423-65	423-65	423-65
Metal bowl with seal	446-38	446-39	419-57
Bowl protection for plastic bowls	445-44	445-45	445-51

Main spare parts

	I	II	III
Plastic bowl with seal	446-6	446-20	421-33
Lubricator adjusting cap plastic	423-179	423-179	423-179

Rates of flow



special option - how to order:

x446.02 x

- S - bowl protection (for plastic bowl)
- M - metal bowl
- 7 - Size III

Dimensions [mm]

Size Port	I G ^{1/8} , G ^{1/4}	II G ^{3/8} , G ^{1/2}	III G ^{3/4} , G1
A	46 40	70 62	82 70
B	140	175	230
C	40	62	70
D	46 40	70 62	82 70
E	50	60	65
F	20	31	35
G	170	200	280

* Inlet and outlet reduced (reducing adapters with O-Rings enclosed)