

# Pressure Regulator

## standard



**ewo**

3

Pressure regulators (diaphragm type) keep the working pressure constant regardless of pressure fluctuations in the system and of air consumption, providing secondary air exhaust (relieving) and almost complete independence of primary pressure. Working pressure ranges from 0,5 to 3, 6, 10 and 16bar. Operation by means of a toggle or handwheel. Special models (for example, without secondary air exhaust) upon request. Gauge can be mounted on either side. Port sizes G<sup>1/8</sup> to G<sup>1/2</sup>. **Important:** Use of filter always recommended.

### Technical Data

	Small	Intermediate	Medium
Nominal rates of flow**	1000NI/min	2000NI/min	2670NI/min
Max. inlet pressure (P <sub>1</sub> )		25 bar (PN25)	
Operating temperature		-10°C to +90°C	
Mounting position		any	
Direction of flow		arrow	
Nominal width	DN6	DN10	DN15
Dependence upon supply pressure	< 3%	< 2%	< 2%
Reversing control hysteresis		~ 1 bar	
Weight	620g	1150g	1350g
Material			
Diaphragm		NBR	
Seals		NBR	
Housing		zinc alloy	

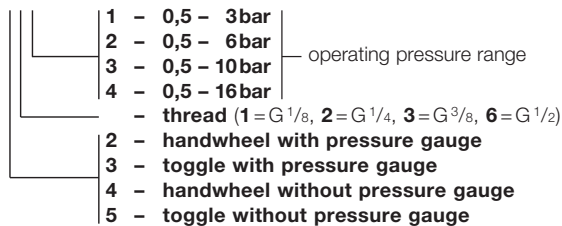
\*\* measured at p<sub>1</sub>=8bar, p<sub>2</sub>=6bar and Δp= 1 bar

### Pressure Regulators 0,5 - 10bar

Size	G <sup>1/8</sup>	G <sup>1/4</sup>	G <sup>3/8</sup>	G <sup>1/2</sup>
Small	323.313*	323.323*	323.333	-
Intermediate	280.313*	280.323*	280.333	-
Medium	-	-	280.353*	280.363

#### special option - how to order:

323.xxx



For example:

323.323 – but without pressure gauge and 0,5 – 16 bar = 323.524

### Accessories

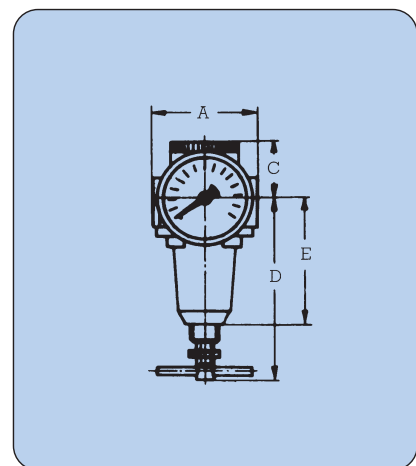
	Small	Intermediate	Medium
Bracket mounting	323-68	280-134	280-132
Panel mounting	323-69	323-66	280-133
Panel thread	M14x1	M20x1,5	M22x1

### Main spare parts

	Small	Intermediate	Medium
Pressure gauge	Ø50	Ø63	Ø63
display range 0 - 6bar	42	213	213
0 - 10bar	55	214	214
0 - 16bar	85	215	215
0 - 25bar	96	216	216
Seal cone complete	323-119	406-37	280-220
Diaphragm complete	323-152	280-223	280-221

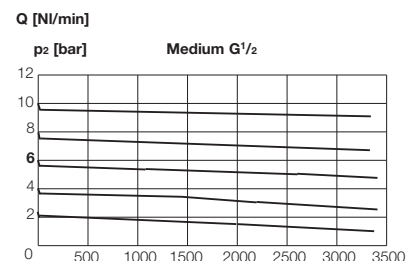
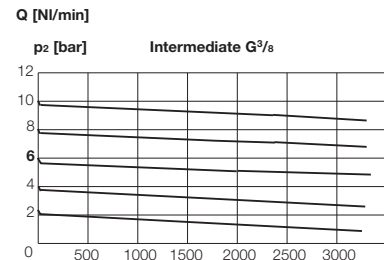
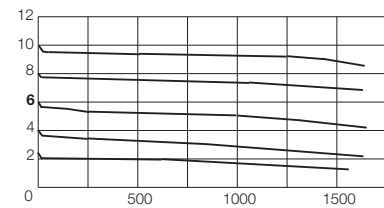
### Dimensions [mm]

Size Port	Small G <sup>1/8</sup> *, G <sup>1/4</sup> *, G <sup>3/8</sup>			Intermediate G <sup>1/8</sup> *, G <sup>1/4</sup> *, G <sup>3/8</sup>			Medium G <sup>3/8</sup> *, G <sup>1/2</sup>	
A	61	61	54	77	77	70	90	82
C	30	30	30	33	33	33	34	34
D	100	100	100	127	127	127	136	136
E	67	67	67	78	78	78	85	85



### Rates of flow

p<sub>2</sub> [bar] Small G<sup>1/4</sup> p<sub>1</sub>=p<sub>2</sub>+2bar



\* Inlet and outlet reduced